

UP. EXTREMITY

TECHNICAL  
SHEET



# TELEGRAPH

EVOLUTION<sup>®</sup>

Cannulated humeral nail

GROUP  
**FH ORTHO**<sup>™</sup>





## Features

### TELEGRAPH EVOLUTION® nails enable:

- Proximally: the fixation of humeral head tuberosities in 4 different plans by 4 proximal screws. In case of porotic bone, a washer can be used on each proximal screw in order to optimize compression of the bone fragment and/or to allow the tuberosities sutures.
- Distally: static or dynamic fixation of the diaphysis by a distal screw and a slotted hole.

### TELEGRAPH EVOLUTION® range is composed of 2 models:

- Short nails of 150 mm length is dedicated to treatment of 2-, 3- and 4-part of proximal humeral fractures.
- Long nails of 210, 230, 250, 270 mm length (290 mm in option) is dedicated to diaphysis fracture including, or not, proximal fractures.

**Nails are available in 4 diameters: 7,8,9 and 10 mm. The range has a proximal diameter of 9 mm, except for the 10 mm nails (10 mm proximally and distally).**

**Nails are cannulated for a sterile single-use pin (or non-sterile) of diameter 2,5 mm and length 750 mm. Both short and long nails are lateralized right and left.**

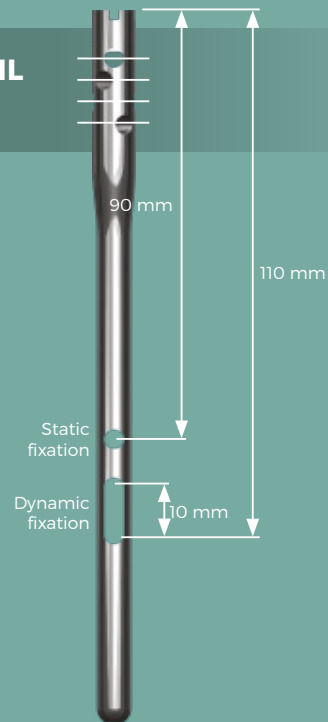
**Extreme sizes are optional: Ø7 to Ø10 / LG 290 mm**

### TELEGRAPH EVOLUTION® description:

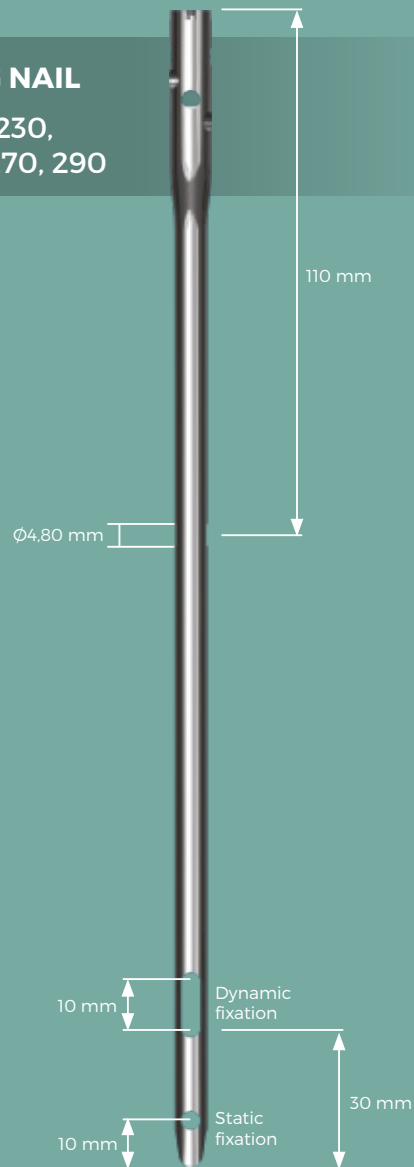
- Anodized titanium alloy (Ti6Al4V).
- Cannulated and designed to anterograde inception.

**The screws are self-tapping.**

### SHORT NAIL L150



### LONG NAIL L210, 230, 250, 270, 290



# Implants references



## TELEGRAPH EVOLUTION®

Short cannulated humeral nail - left

Ref.	Designation
270 141	Ø7 L150
270 142	Ø8 L150
270 143	Ø9 L150
270 144	Ø10 L150



## TELEGRAPH EVOLUTION®

Short cannulated humeral nail - right

Ref.	Designation
270 145	Ø7 L150
270 146	Ø8 L150
270 147	Ø9 L150
270 148	Ø10 L150



## TELEGRAPH EVOLUTION®

Proximal screw ●

Ref.	Designation
270 169	Ø4 L25
270 170	Ø4 L30
270 171	Ø4 L35
270 172	Ø4 L40
270 173	Ø4 L45
270 174	Ø4 L50
270 175	Ø4 L55



## TELEGRAPH EVOLUTION®

Long cannulated humeral nail - left

Ref.	Designation
270 149	Ø7 L210
270 150	Ø7 L230
270 151	Ø7 L250
270 152	Ø7 L270
270 153	Ø7 L290
270 154	Ø8 L210
270 155	Ø8 L230
270 156	Ø8 L250
270 157	Ø8 L270
270 158	Ø8 L290
270 159	Ø9 L210
270 160	Ø9 L230
270 161	Ø9 L250
270 162	Ø9 L270
270 163	Ø9 L290
270 164	Ø10 L210
270 165	Ø10 L230
270 166	Ø10 L250
270 167	Ø10 L270
270 168	Ø10 L290



## TELEGRAPH EVOLUTION®

Long cannulated humeral nail - right

Ref.	Designation
270 350	Ø7 L210
270 351	Ø7 L230
270 352	Ø7 L250
270 353	Ø7 L270
270 354	Ø7 L290
270 355	Ø8 L210
270 356	Ø8 L230
270 357	Ø8 L250
270 358	Ø8 L270
270 359	Ø8 L290
270 360	Ø9 L210
270 361	Ø9 L230
270 362	Ø9 L250
270 363	Ø9 L270
270 364	Ø9 L290
270 365	Ø10 L210
270 366	Ø10 L230
270 367	Ø10 L250
270 368	Ø10 L270
270 369	Ø10 L290



## TELEGRAPH EVOLUTION®

Distal screw ●

Ref.	Designation
270 176	Ø4 L20
270 177	Ø4 L24
270 178	Ø4 L28
270 179	Ø4 L32



## TELEGRAPH EVOLUTION®

Washer  
Internal diameter 4  
External diameter 11

Ref.	Designation
270 180	Washer

OPTIONAL

# Instruments list

ref. 270 803  
Telegraph Evolution® case V1  
ref. 270 805  
Telegraph Evolution® lid  
ref. 264 579  
Telegraph IV case V1 (can replace case 270 803  
+ lid 270 805)

